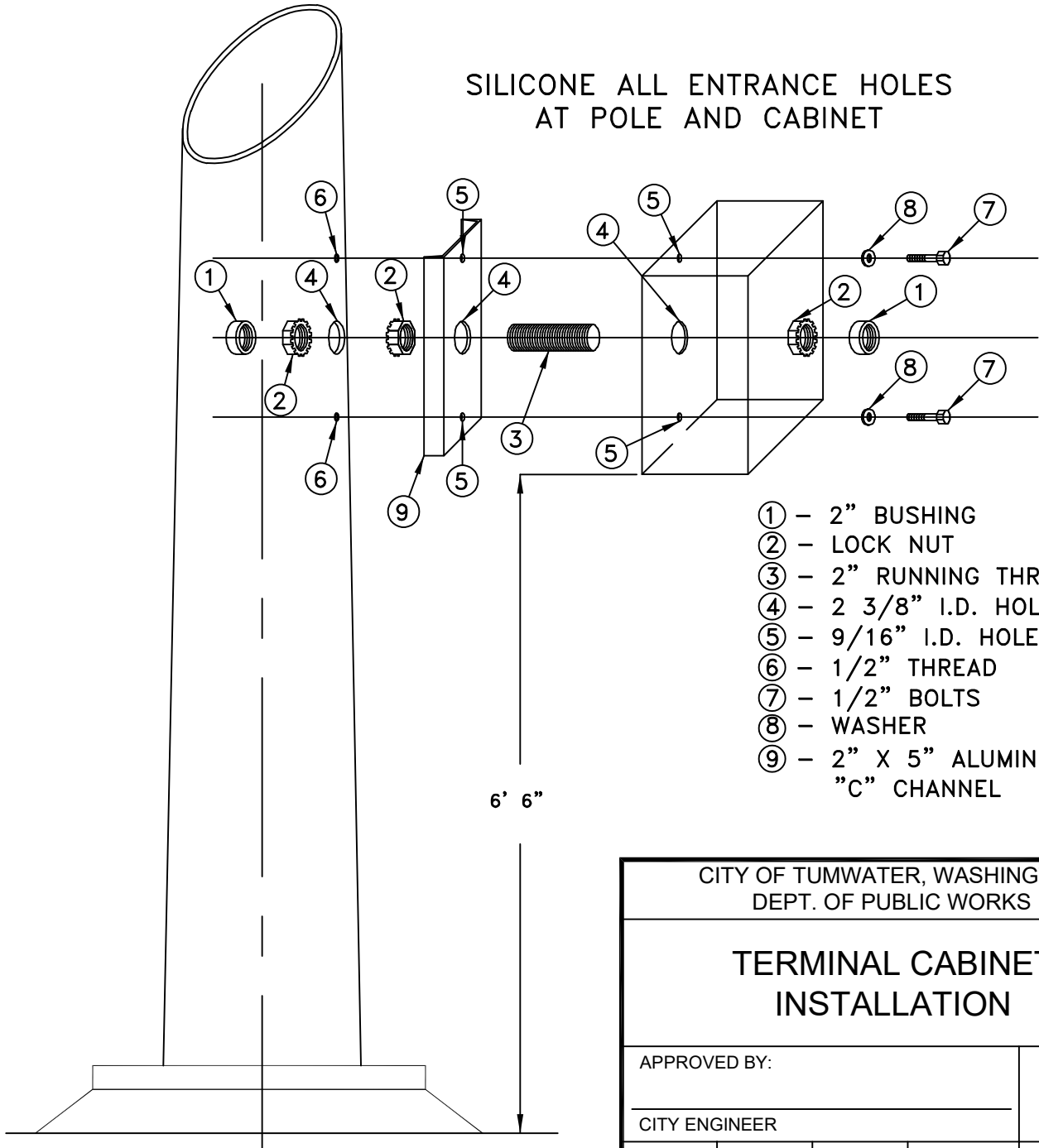


12" X 10" STAHLIN J1210 HPL
CABINET WITH 2-TK 1210 TERMINAL
STRIPS OR APPROVED EQUAL.

ENCLOSURE: 0.125", MIN. 5052 ALLOY
ALUMINUM H32 ASTM DESIGNATOR MINIMUM,
NEMA 3-4X-12 12" X 10" X 4 7/8" INSIDE
STAINLESS STEEL PIANO HINGE 2-STAINLESS
STEEL LATCHES PADLOCK HASP

TERMINAL STRIPS 2-18 TERMINALS
STRIPS LUG TYPE CONNECTIONS 600 V
RATE/50 AMP CAPACITY STAND OFF
MOUNTING

SILICONE ALL ENTRANCE HOLES
AT POLE AND CABINET



- ① - 2" BUSHING
- ② - LOCK NUT
- ③ - 2" RUNNING THREAD
- ④ - 2 3/8" I.D. HOLE
- ⑤ - 9/16" I.D. HOLE
- ⑥ - 1/2" THREAD
- ⑦ - 1/2" BOLTS
- ⑧ - WASHER
- ⑨ - 2" X 5" ALUMINUM "C" CHANNEL

CITY OF TUMWATER, WASHINGTON
DEPT. OF PUBLIC WORKS

TERMINAL CABINET INSTALLATION

APPROVED BY:

DWG. NO.

CITY ENGINEER

ST-10

DES.
PW

DWG. BY
PW

CK'D BY
MW

DATE
JAN. 2015

NOT TO
SCALE