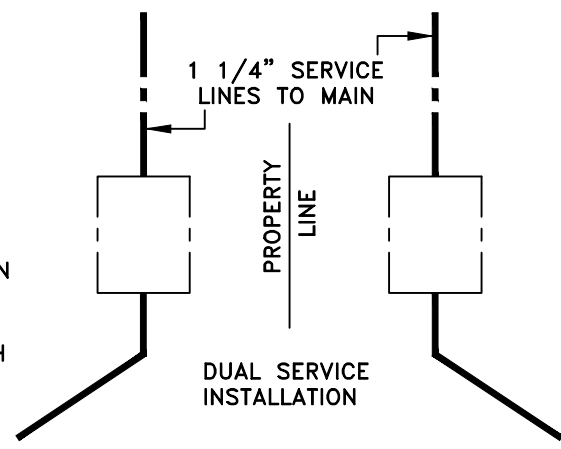


1 1/4" X MAIN DIA. PVC REDUCING WYE, GASKET X GASKET X SLIP OR A 1-1/4" (306 DOUBLE BOLT) ROMAC STAINLESS STEEL SADDLE.

GENERAL NOTES:

1. FILL SERVICE BOX WITH FIBERGLASS INSULATION AT TIME OF ON-SITE CONNECTION TO THE STUB.
2. AFTER THE HYDRO-STATIC TEST HAS BEEN APPROVED BY THE CITY INSPECTOR THE CHECK VALVE SHALL BE INSTALLED.
3. ALL FITTINGS AND PIPE SHALL BE SCHEDULE 80.
4. THE 1 1/4" VALVE SHALL BE KBI OR CEPEX SCHEDULE 80 TRUE UNION SWING CHECK VALVES FIPT X FIPT.
5. THE 1 1/4" CHECK VALVE SHALL BE SPEARS TRUE UNION BALL CHECK VALVE FIPT X FIPT.
6. THE SERVICE BOX SHALL BE CARSON/MIDSTATES INDUSTRIES MODEL NO. 1324, (GREEN CARSON FOR EARTH BURY) AND 1324 MIDSTATES W/DUCTILE IRON TRAFFIC RATED LID IN ASPHALT, DRIVEWAY AND SIDEWALK. THE VALVE BOX LID SHALL BE MARKED "SEWER".
7. WHERE APPLICABLE THE SERVICE BOX SHALL BE CENTERED IN THE PLANTER STRIP.



CITY OF TUMWATER, WASHINGTON DEPT. OF PUBLIC WORKS				
GRINDER CONNECTION SINGLE & DUPLEX SEWER SERVICE				
APPROVED				DWG. NO.
CITY ENGINEER				SS-21
DES. TED	DWG. BY TED	CK'D BY JC	DATE MAY 2024	NOT TO SCALE