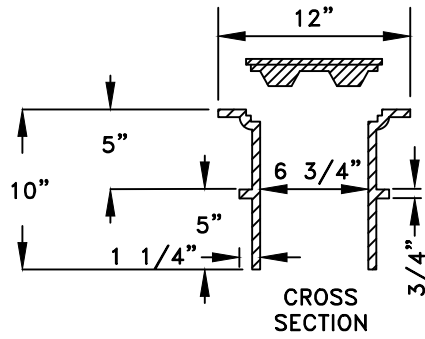
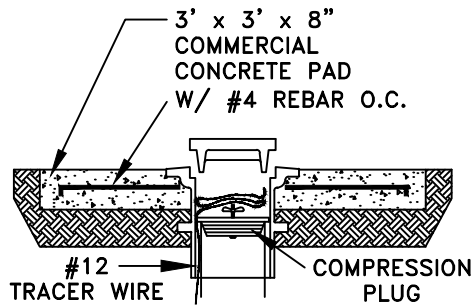


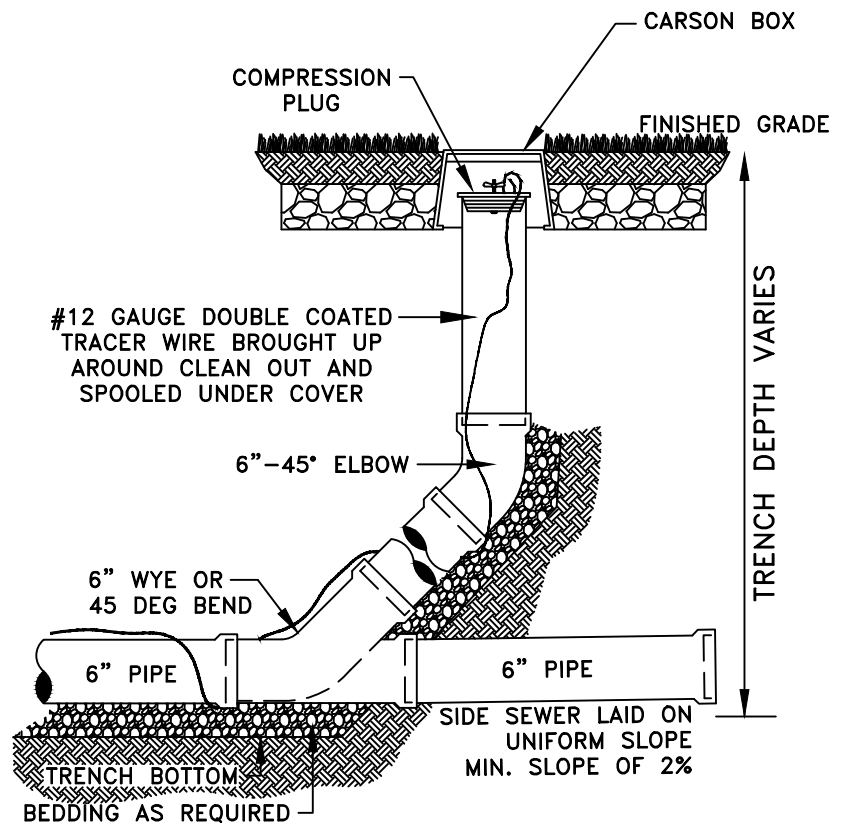
INSIDE PAVED ROADWAY



PVC LATERAL AND RAISER



OUTSIDE PAVED AREA  
IN LANDSCAPING AREAS



**GENERAL NOTES:**

1. ALL SEWER PIPE SHALL BE ASTM 3034 SDR 35.
2. LOCATED IN CENTER OF CUL-DE-SAC WHEN APPROPRIATE.

CITY OF TUMWATER, WASHINGTON DEPT. OF PUBLIC WORKS				
<b>6" LATERAL CLEANOUT PVC</b>				
APPROVED _____				DWG. NO.
CITY ENGINEER				<b>SS-11-A</b>
DES. TED	DWG. BY TED	CK'D BY JC	DATE MAY 2024	NOT TO SCALE