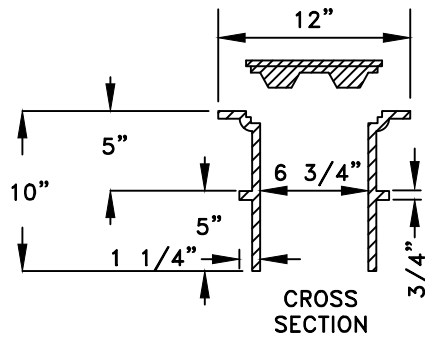
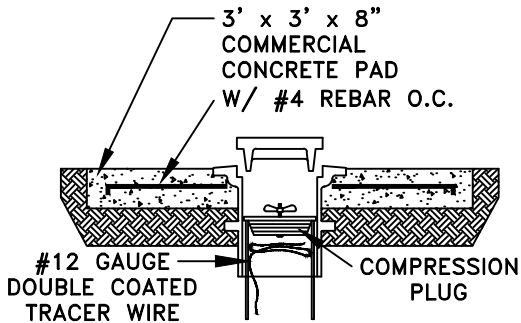


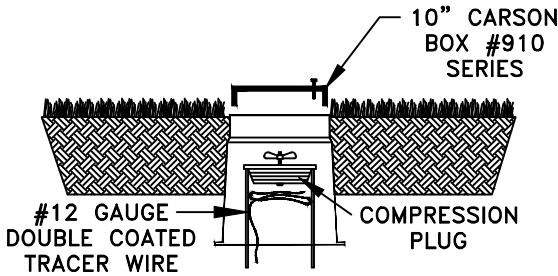
INSIDE PAVED ROADWAY



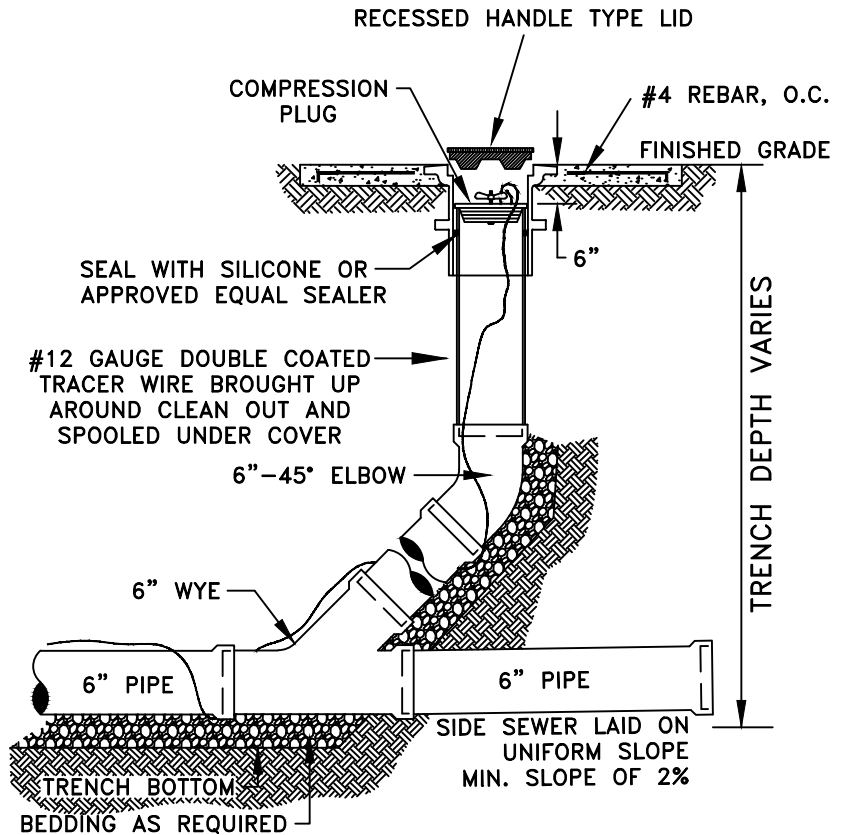
CAST IRON RING AND COVER



OUTSIDE PAVED AREA
IN LANDSCAPING AREAS



OUTSIDE PAVED AREA
LAWN AREA W/ CARSON BOX



GENERAL NOTES:

1. ALL SEWER PIPE SHALL BE ASTM 3034 SDR 35.
2. LOCATED IN CENTER OF CUL-DE-SAC WHEN APPROPRIATE.

CITY OF TUMWATER, WASHINGTON DEPT. OF PUBLIC WORKS				
6" LATERAL CLEANOUT DUCTIAL IRON				
APPROVED _____				DWG. NO.
CITY ENGINEER				SS-11
DES. TED	DWG. BY TED	CK'D BY JC	DATE MAY 2024	NOT TO SCALE