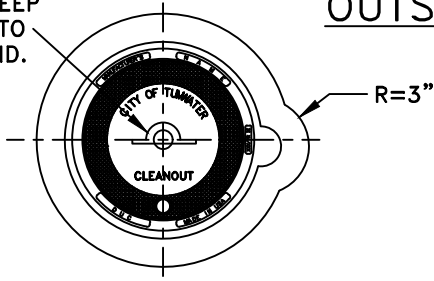
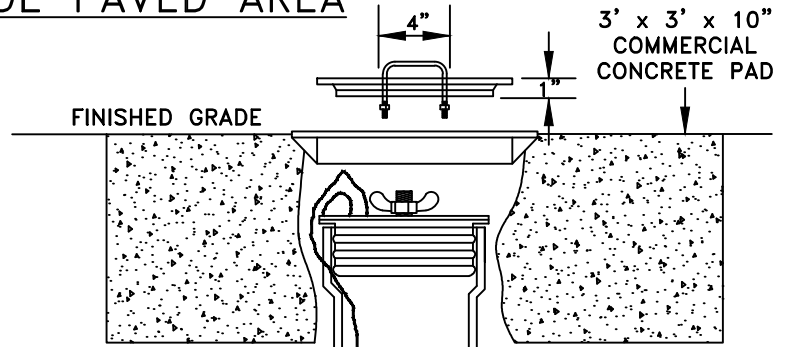


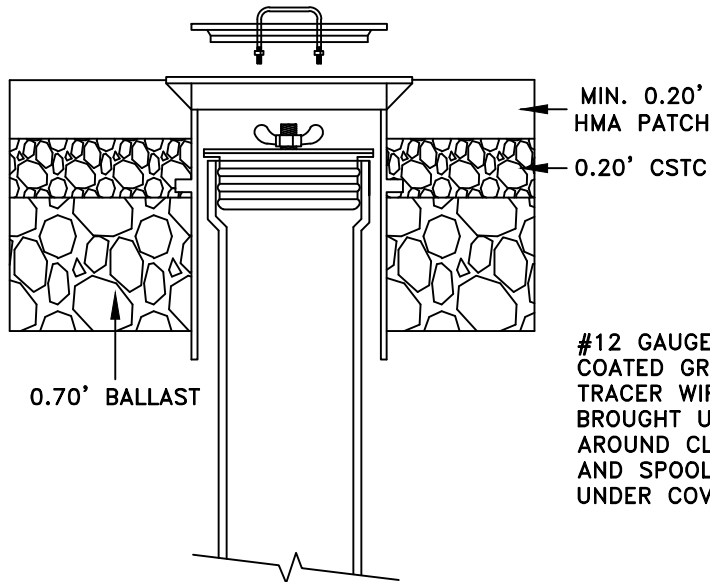
1" R, 1/2" DEEP
TAPERED TO
TOP OF LID.



OUTSIDE PAVED AREA



PAVED AREA



#12 GAUGE DOUBLE
COATED GREEN
TRACER WIRE
BROUGHT UP
AROUND CLEAN OUT
AND SPOOLED
UNDER COVER

TRENCH DEPTH VARIES

8" SEWER PIPE
TRENCH BOTTOM

BEDDING AS REQUIRED

GENERAL NOTES:

- SEWER MAINS LARGER THAN 8" IN DIAMETER WILL REQUIRE PLACEMENT OF MANHOLE.

CITY OF TUMWATER, WASHINGTON
DEPT. OF PUBLIC WORKS

**CLEANOUT
8" SEWER MAIN**

APPROVED				DWG. NO.
CITY ENGINEER				SS-10
DES. TED	DWG. BY TED	CK'D BY JC	DATE MAY 2024	NOT TO SCALE