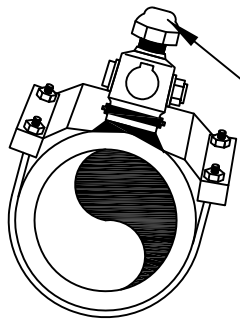
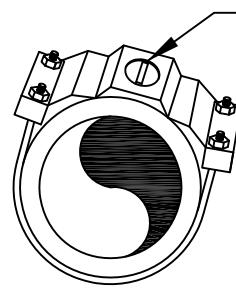


SERVICE ABANDONMENT



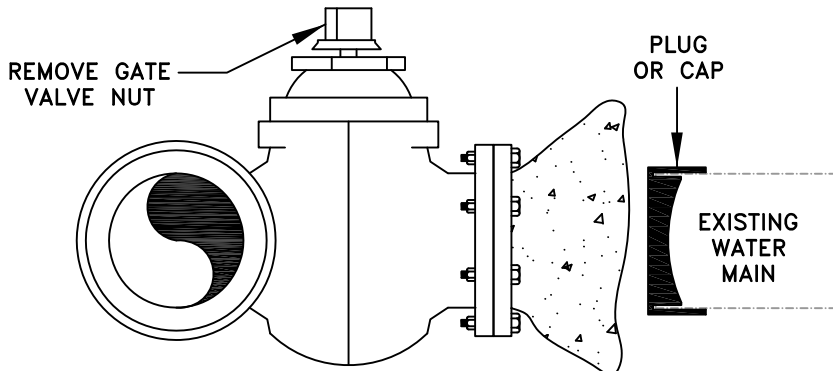
REMOVE SERVICE LINE
AND INSTALL BRASS CAP
ON SERVICE SADDLE

EXISTING SERVICE
SADDLE
UNDER PRESSURE



BRASS CAP
SERVICE SADDLE

EXISTING SERVICE
SADDLE
RELEASED PRESSURE OR
LEAKING CORPORATION STOP



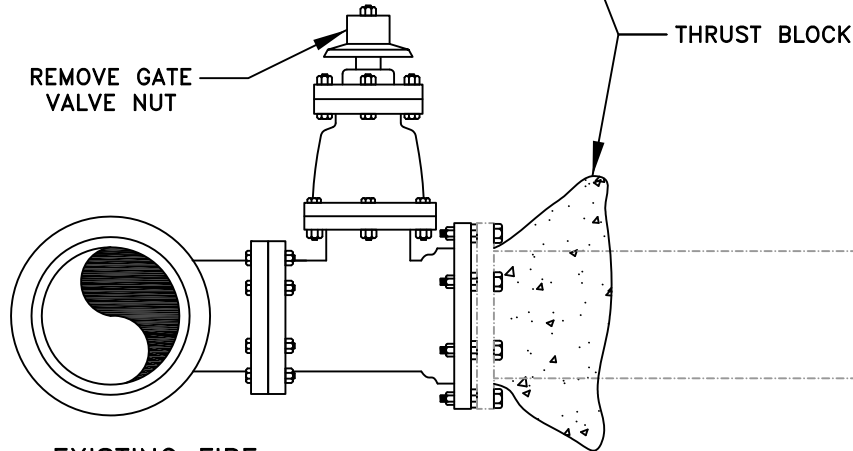
REMOVE GATE
VALVE NUT

PLUG
OR CAP

EXISTING
WATER
MAIN

EXISTING GATE
VALVE

REMOVE FIRE HYDRANT
AND RETURN TO CITY



REMOVE GATE
VALVE NUT

THRUST BLOCK

EXISTING FIRE
HYDRANT

CITY OF TUMWATER, WASHINGTON
DEPT. OF PUBLIC WORKS

SERVICE ABANDONMENT DETAIL

APPROVED BY:

DWG. NO.

CITY ENGINEER

WA-45

DES.
PW

DWG. BY
PW

CK'D BY
KMC

DATE
JULY 2014

NOT TO
SCALE