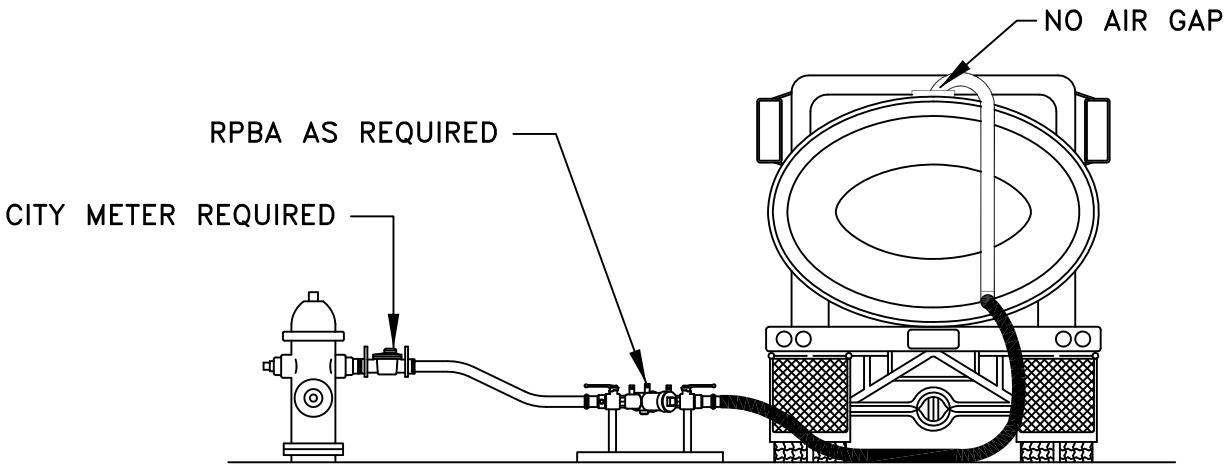


**APPROVED AIR GAP**



**NON-APPROVED AIR GAP**

MUST BE EQUIPPED WITH METER AND (RPBA)  
REDUCED PRESSURE BACKFLOW ASSEMBLY

|   |               |                |                   |                 |
|---|---------------|----------------|-------------------|-----------------|
| CITY OF TUMWATER, WASHINGTON<br>DEPT. OF PUBLIC WORKS |               |                |                   |                 |
| BACKFLOW PREVENTION FOR<br>VEHICLE FILLING            |               |                |                   |                 |
| APPROVED BY:  |               |                |                   | DWG. NO.        |
| CITY ENGINEER   |               |                |                   | WA-43           |
| DES.<br>PW  | DWG. BY<br>PW | CK'D BY<br>KMC | DATE<br>JULY 2014 | NOT TO<br>SCALE |