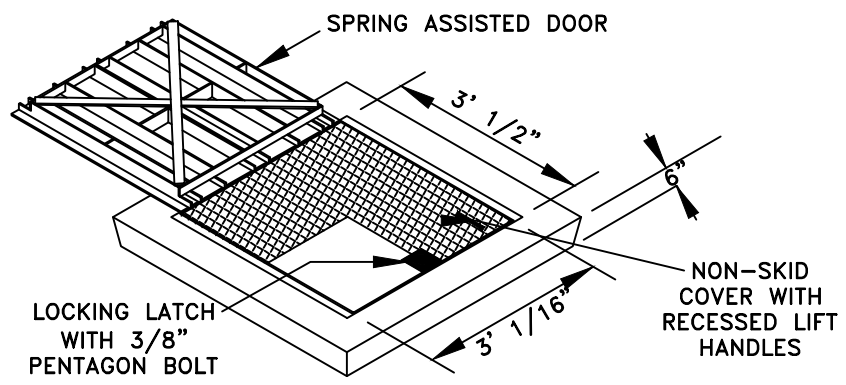
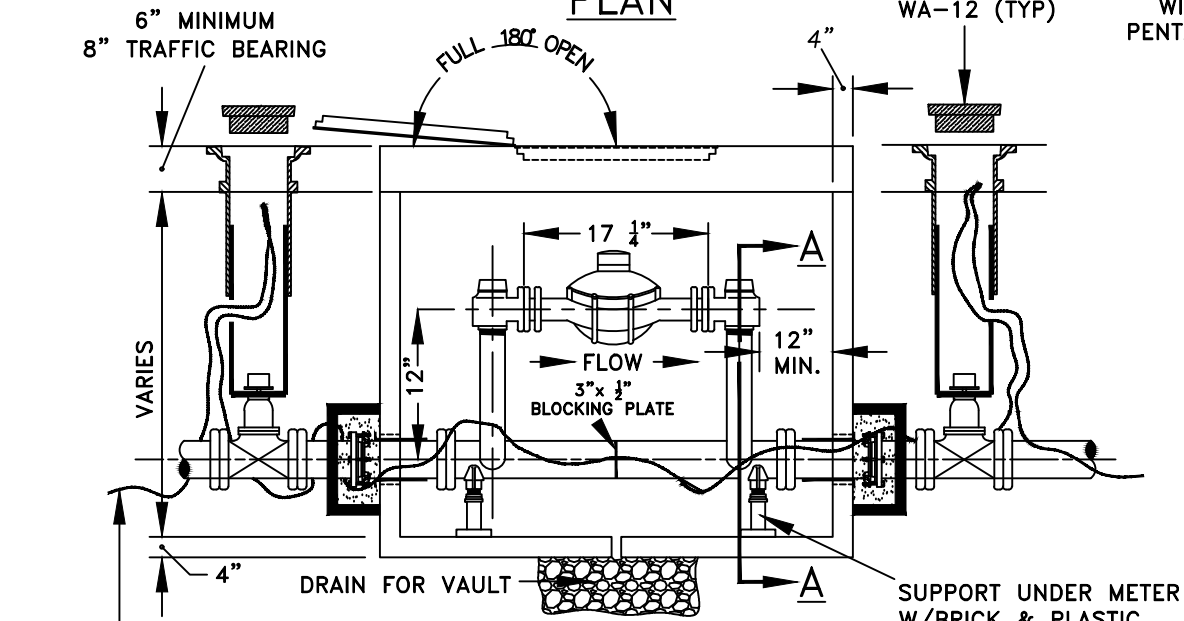


PLAN

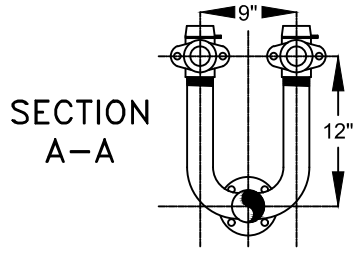


LID COVER



ELEVATION

#12 GAUGE
DOUBLE COATED
BLUE TRACER WIRE



SECTION
A-A

VALVE BOX DETAIL
WA-12 (TYP)

SUPPORT UNDER METER
W/BRICK & PLASTIC
SHIMS OR ADJUSTABLE
GALVANIZED SUPPORTS

GENERAL NOTES:

1. FOR NON-TRAFFIC BEARING 3" METERS—LID COVER #5736 (OLYMPIC FOUNDRY) OR EQUAL.
2. FOR TRAFFIC BEARING 3" METERS—LID COVER #5737-H (OLYMPIC FOUNDRY OR EQUAL).
3. FOR CIRCLE NOTES SEE CITY MATERIALS LIST DETAIL.
4. INCLUDE LADDER WHEN VAULT IS MORE THAN 4' DEEP.

CITY OF TUMWATER, WASHINGTON DEPT. OF PUBLIC WORKS				
3" WATER SERVICE METER MANIFOLD				
APPROVED BY:				DWG. NO.
CITY ENGINEER				WA-30
DES. TED	DWG. BY TED	CK'D BY TED	DATE FEB. 2024	NOT TO SCALE