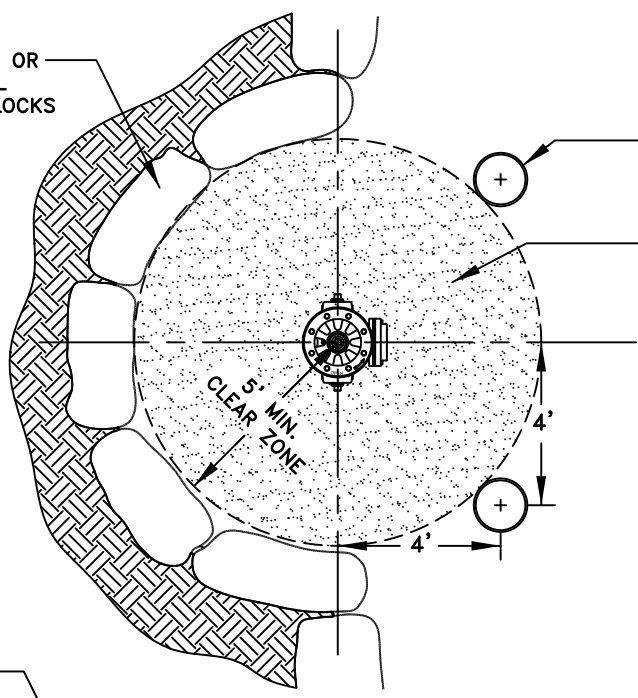


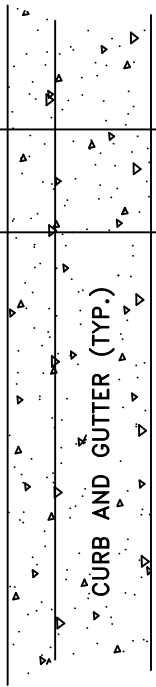
ROCK WALL OR  
OPTIONAL  
KEYSTONE BLOCKS



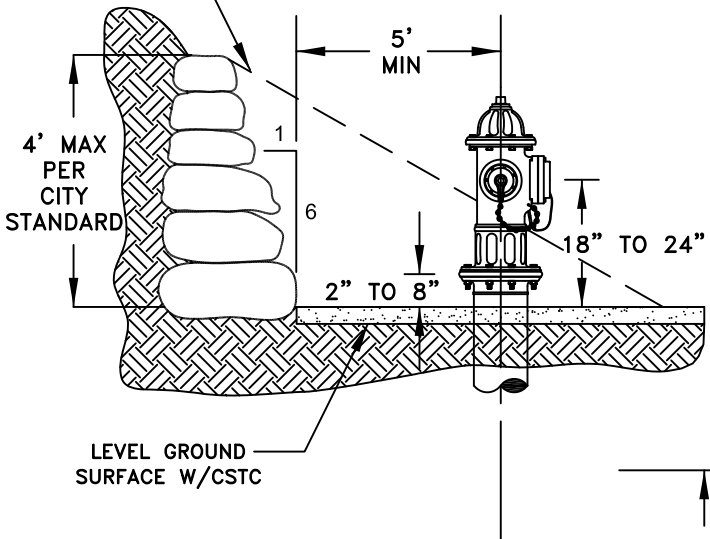
SEE HYDRANT BOLLARD DETAIL

LEVEL GROUND  
SURFACE W/CSTC

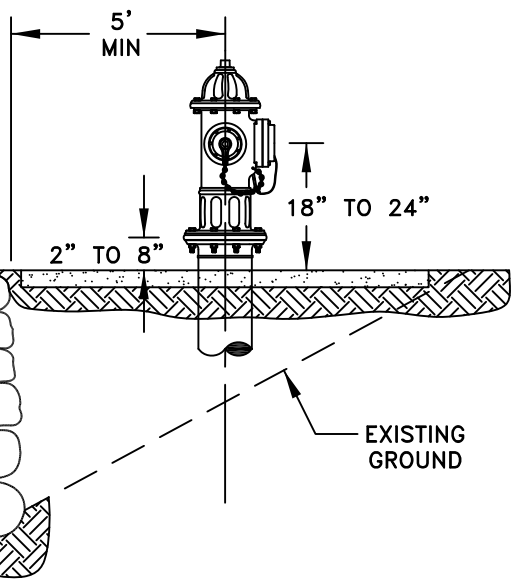
CURB AND GUTTER (TYP.)



EXISTING  
GROUND



5'  
MIN



4' MAX  
PER  
CITY  
STANDARD

EXISTING  
GROUND

CITY OF TUMWATER, WASHINGTON  
DEPT. OF PUBLIC WORKS

**FIRE HYDRANT PLACEMENT  
IN CUT OR FILL AREAS**

APPROVED BY:  
\_\_\_\_\_  
CITY ENGINEER

DWG. NO.  
**WA-15**

DES. PW	DWG. BY PW	CK'D BY KMC	DATE JUNE 2014
------------	---------------	----------------	-------------------

NOT TO  
SCALE