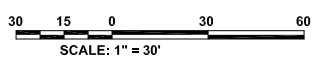
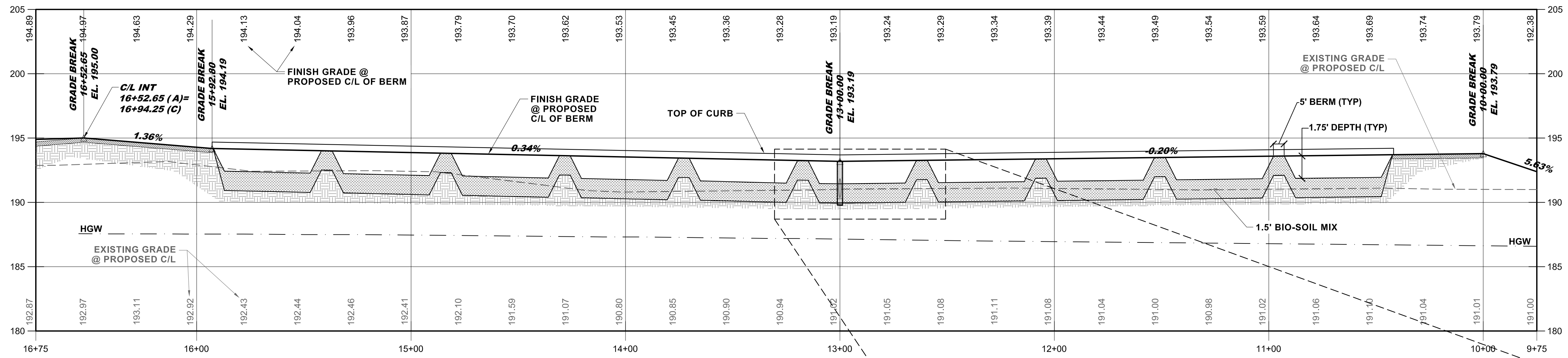


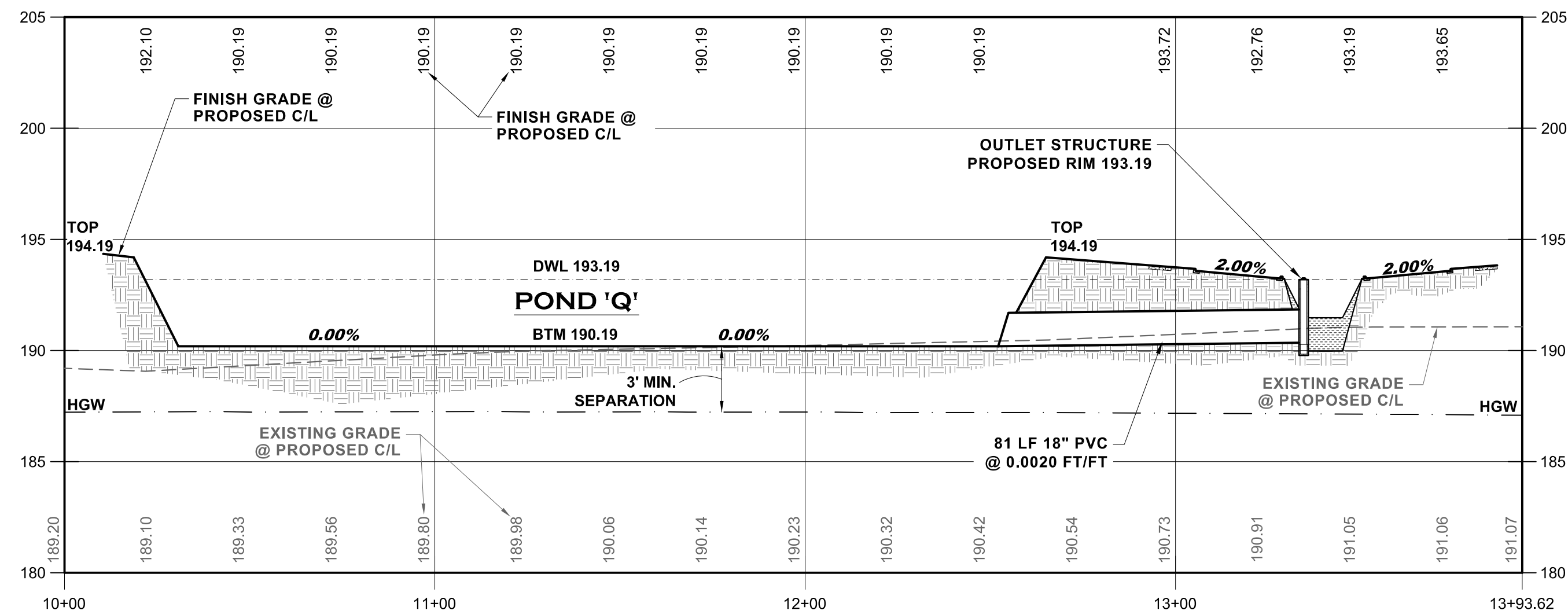
POND 'S' PLAN





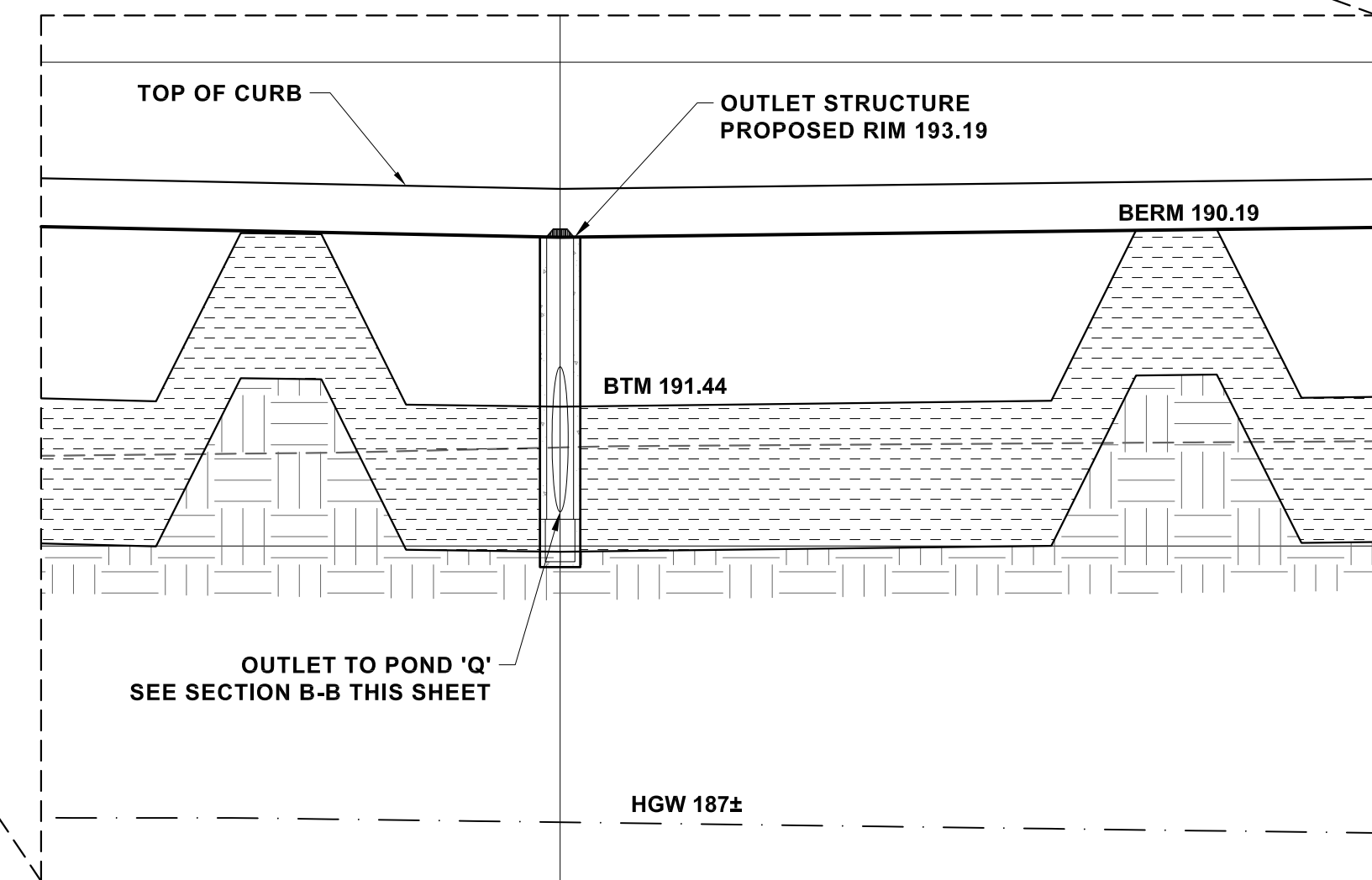
**SECTION A-A**

SCALE: H: 1" = 30'  
V: 1" = 5'



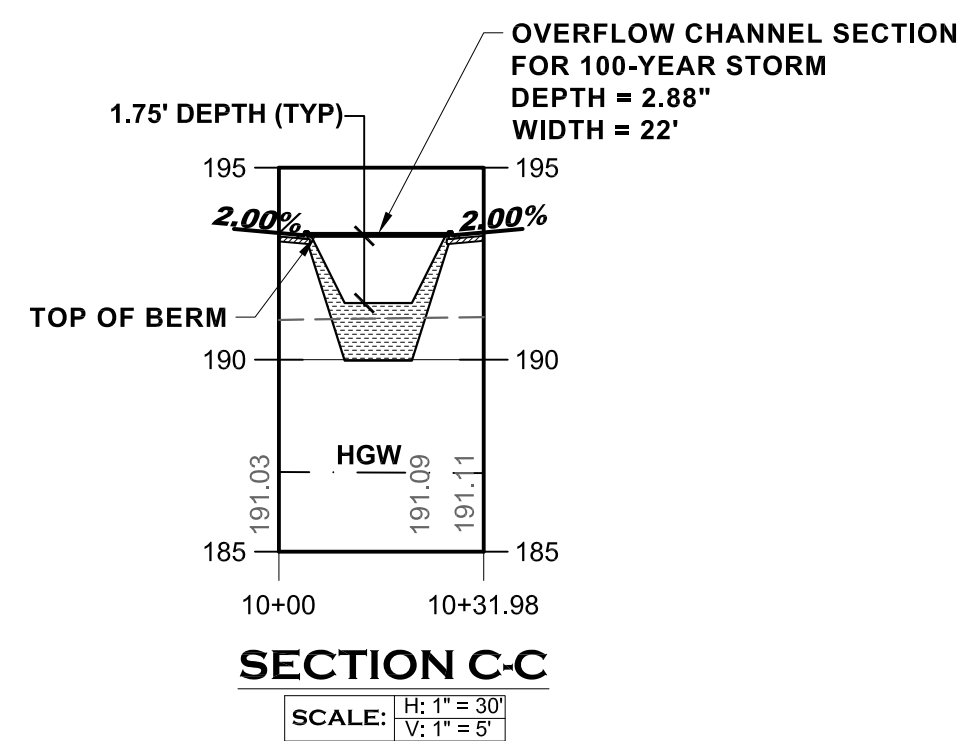
**SECTION B-B**

SCALE: H: 1" = 30'  
V: 1" = 5'



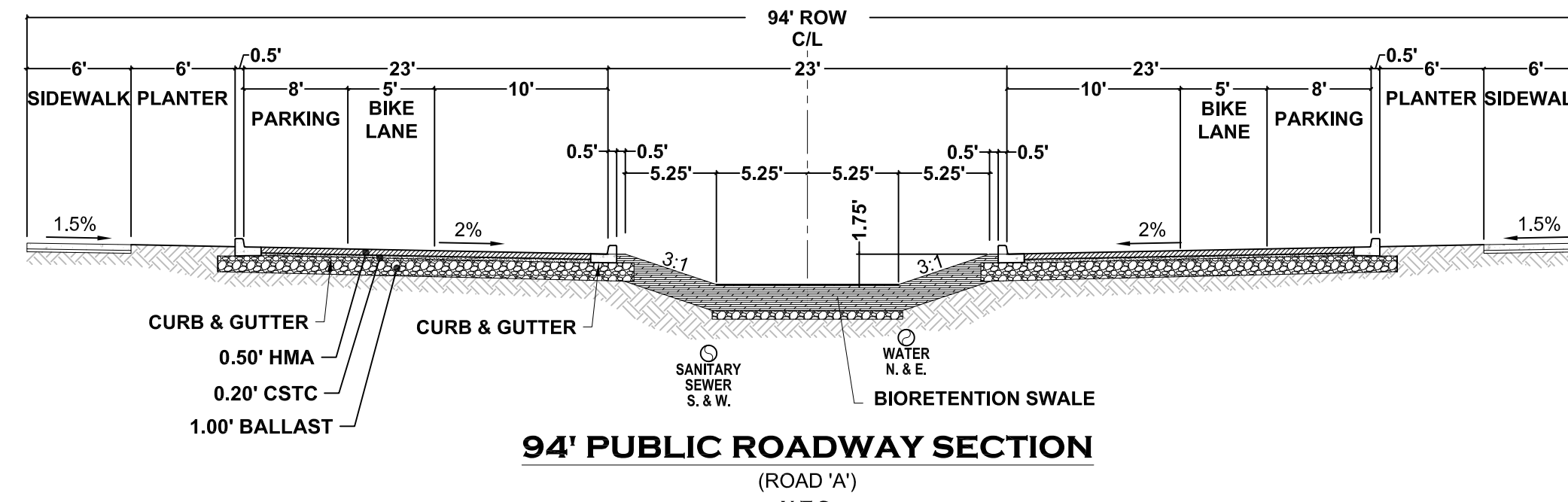
**SECTION A-A ENLARGED VIEW**

N.T.S.



**SECTION C-C**

SCALE: H: 1" = 30'  
V: 1" = 5'



**94' PUBLIC ROADWAY SECTION**

(ROAD 'A')

N.T.S.